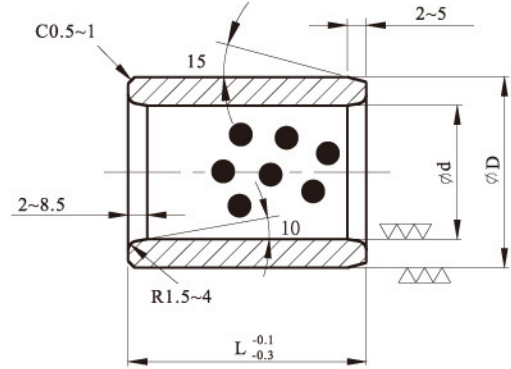
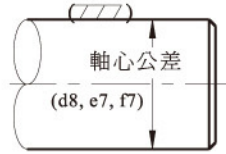




標準襯套



SPB

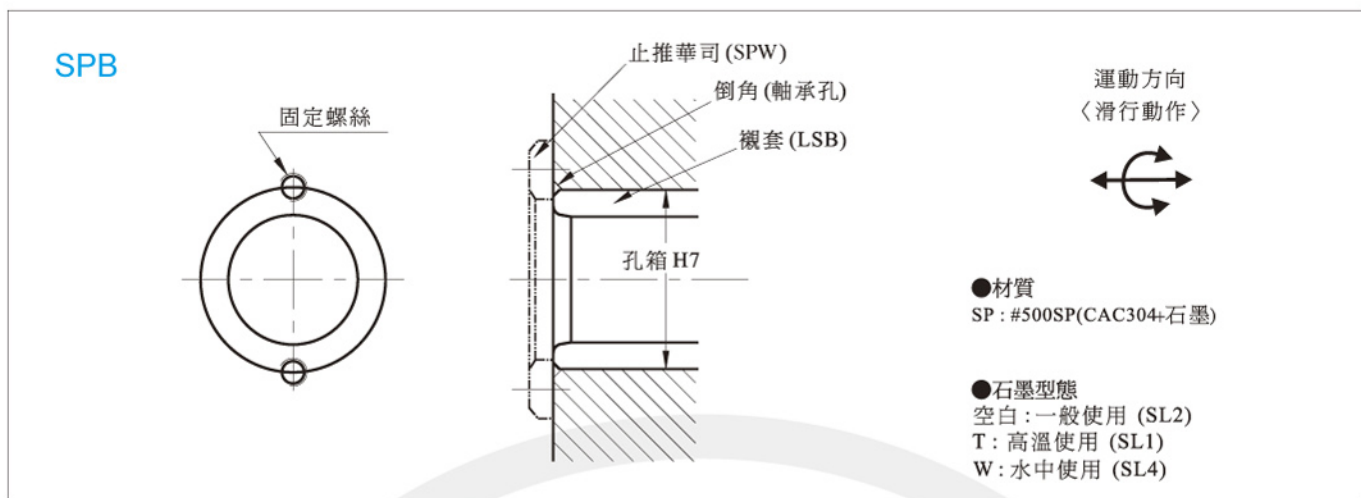


- 公差
- 孔箱：H7
- 配軸：d8=重負荷
- e7=輕負荷
- f7=高精度
- b9=水中或海水應用

單位：mm

產品代碼	軸心直徑	尺寸及公差		長度 (L ^{-0.1} _{-0.3})								
		I.D	O.D	8	10	12	15	16	20	25	30	35
		∅d F7	∅D m6									
	8	8 ^{+0.028} _{+0.013}	12 ^{+0.018} _{+0.007}	*081208	*081210	*081212	*081215					
	10	10 ^{+0.034} _{+0.016}	14 ^{+0.021} _{+0.008}	*101408	*101410	*101412	*101415		*101420			
	12		18		*121810	*121812	*121815	121816	121820	121825	121830	
	13		19		*131910		131915		131920			
	14		20		*142010	*142012	*142015		*142020	*142025	*142030	
	15		21		*152110	*152112	152115	*152116	152120	152125	*152130	
	16		22		*162210	*162212		162216	162220	162225	162230	162235
	18		24				182415	*182416	182420	182425	182430	
	20	20 ^{+0.041} _{+0.020}	28				*202815	202816	202820	202825	202830	202835
	20		30					203016	203020	203025	203030	203035
	25		33 ^{+0.025} _{+0.008}					253316	253320	253325	253330	253335
	25		35					253516	253520	253525	253530	253535
	30		38					303820	303825	303825	303830	303835
	30		40						304020	304025	304030	304035
	31.5	31.5 ^{+0.050} _{+0.025}	40								31.54030	
	35		44								354430	354435
	35		45								354530	354535
	40		50								405030	405035
	40		55 ^{+0.030} _{+0.011}								405530	405535
	45		55								455530	455535
	45		56								455630	455635
	45		60								456030	456035
	50		60								506030	506035
	50		62								506230	506235
	50		65								506530	
	55	55 ^{+0.060} _{+0.030}	70									
	60		74									
	60		75								607430	607435
	60		75								607530	607535
	63		75									
	65		80									
	70		85 ^{+0.035} _{+0.013}									708535
	70		90									
	75		90									
	75		95									
	80		96									
	80		100									
	90	90 ^{+0.071} _{+0.036}	110									
	100		120									
	110		130 ^{+0.040} _{+0.015}									
	120		140									
	125	125 ^{+0.083} _{+0.043}	145									
	130		150									
	140		160									
	150		170									
	160		180									

備註：只可利用於#500SP



單位 : mm

長度 (L $\frac{0.1}{0.3}$)										d	D	配合華司
40	50	60	70	80	100	120	130	140	150			
										8	12	-
										10	14	SPW-10
										12	18	SPW-12
										13	19	SPW-13
										14	20	SPW-14
										15	21	SPW-15
										16	22	SPW-16
										18	24	SPW-18
										20	28	SPW-20
162240										20	30	
202840	*202850									25	33	SPW-25
203040										25	35	
253340	253350	*253360								25	35	
253540	253550									30	38	SPW-30
303840	303850	303860								30	40	
304040	304050	304060								31.5	40	-
31.54040										35	44	SPW-35
354440	354450	354460								35	45	
354540	354550	354560								40	50	SPW-40
405040	405050	405060	405070	*405080						40	55	
405540	405550	405560								45	55	SPW-45
455540	455550	455560								45	56	
455640	455650	455660								45	60	
456040	456050	456060	456070	*456080						50	60	SPW-50
506040	506050	506060	*506070	*506080						50	62	
506240	506250	506260	506270							50	65	
506540	506550	506560	506570	506580	5065100					55	70	SPW-55
557040	557050	557060	557070							60	74	SPW-60
607440	607450	607460	607470	607480						60	75	
607540	607550	607560	607570	607580	6075100					63	75	-
		637560	637570	637580						65	80	SPW-65
	658050	658060	658070	658080						70	85	SPW-70
708540	708550	708560	708570	708580	7085100					70	90	
	709050	709060	709070	709080						75	90	SPW-75
		759060	759070	759080	7590100					75	95	
		759560	759570	759580	7595100					80	96	SPW-80
809640	809650	809660	809670	809680	8096100	8096120				80	100	
8010040	8010050	8010060	8010070	8010080	80100100	80100120				90	110	SPW-90
		9011060		9011080	90110100	*90110120				100	120	SPW-100
		10012060	10012070	10012080	100120100	100120120				110	130	-
				11013080	110130100	110130120				120	140	SPW-120
				12014080	120140100	120140120				125	145	-
					125145100	125145120				130	150	-
					130150100		130150130			140	160	-
					140160100			140160140		150	170	-
					150170100				150170150	160	180	-
					160180100				160180150			

如何訂購：例 SPB - 20 X 28 X 40 - T : 內徑 X 外徑 X 長度 - 石墨形態